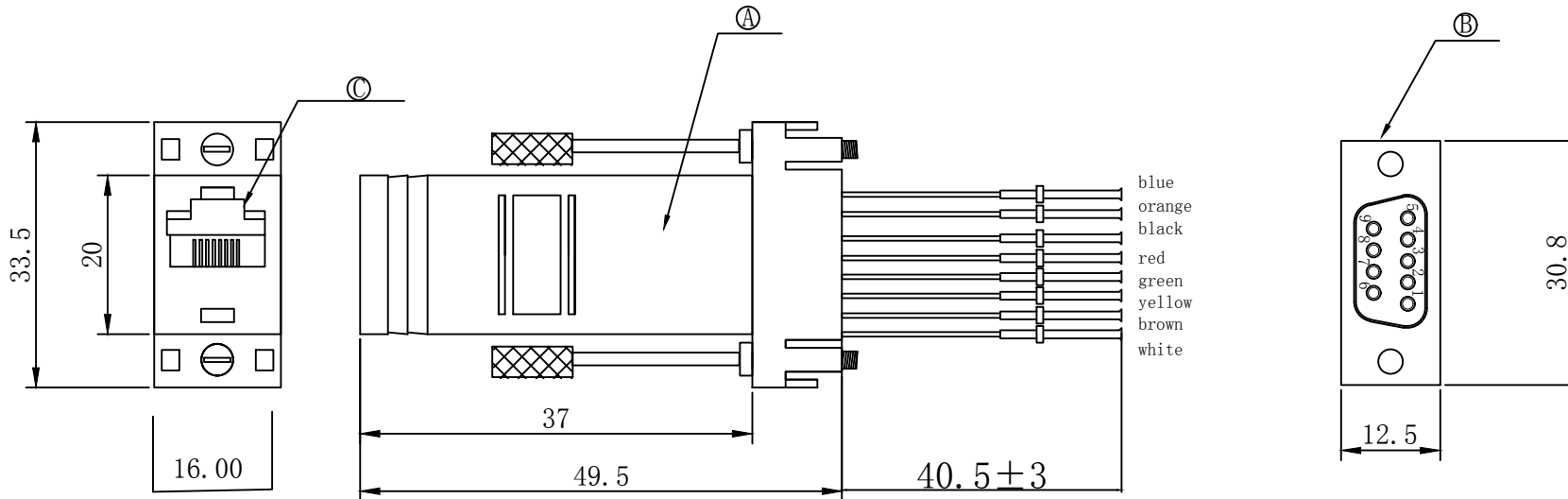


D-Sub Adapter, 9-Pin Socket to RJ45 Socket



PIN ASSIGNMENT

1	_____	blue
2	_____	orange
3	_____	black
4	_____	red
5	_____	green
6	_____	yellow
7	_____	brown
8	_____	white

NOTES:

- ELECTRICAL CHARACTER:**
 1.100% OPEN&SHORTTESTING.
 2.ROHS and REACH COMPLIANT.
 3. Where the tolerance is not indicated, the tolerance is +/- 0.2
 4.connector connection method: soldering.
 5.THIS PRODUCT INCLUDED THE RAW MATERIAL:

PE - ABS - PVC - Gold-plated copper
 nickel plated Iron shell

C	CONNECTOR 2	RJ45 Female	
B	CONNECTOR 1	DB9 Female	
A	HOUSING	ABS,color:Ivory	
NO	ITEM	DESCRIPTION	COMPONENT